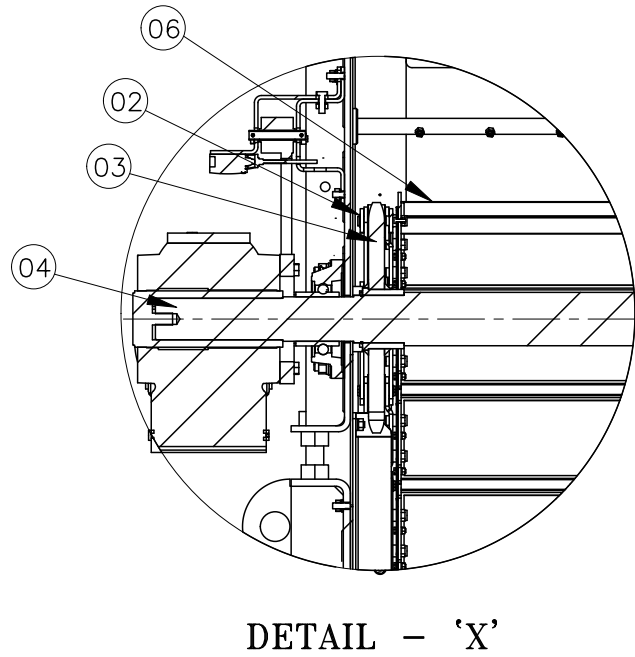
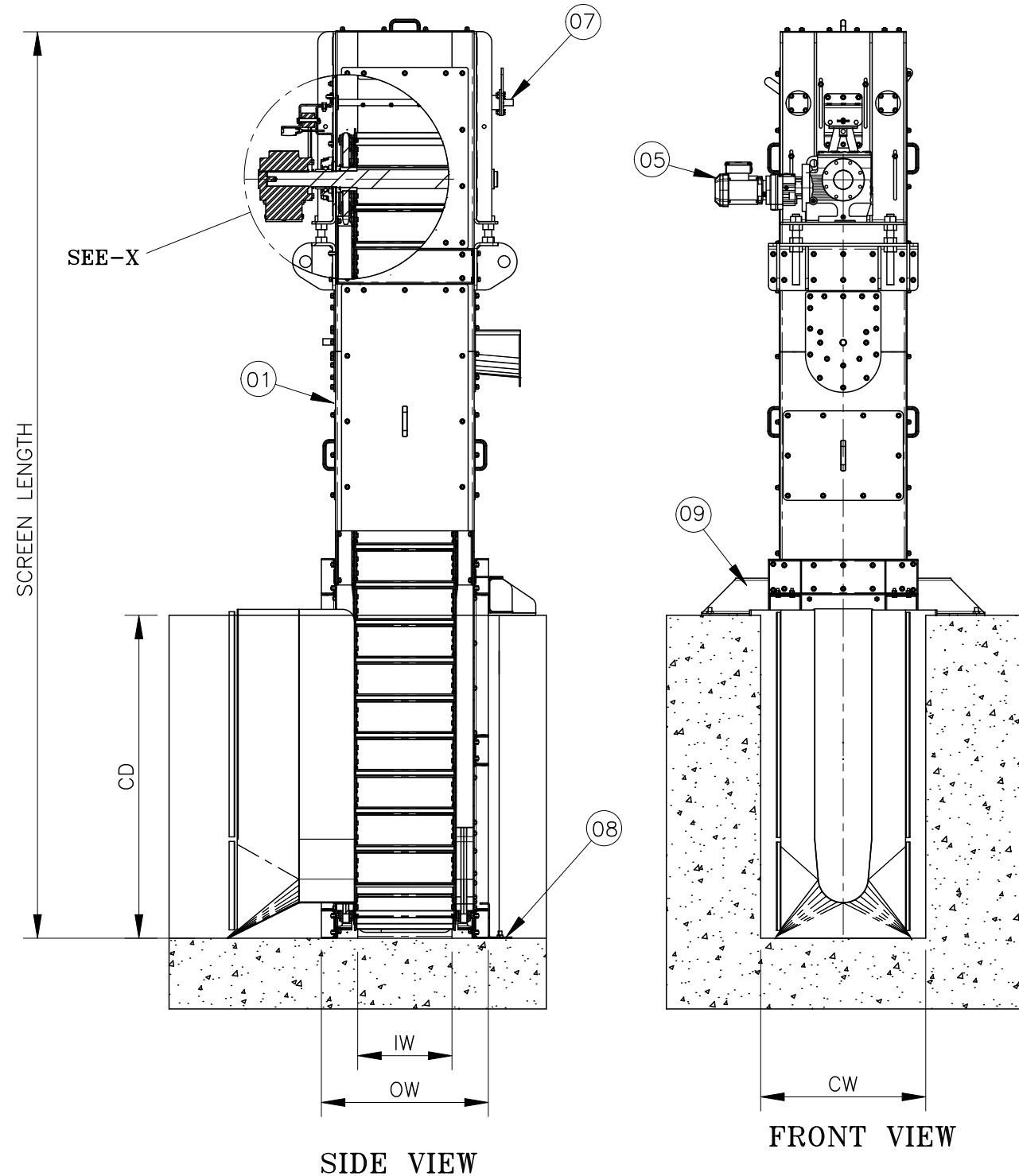


Minor changes in dimensions due to detailed design are possible

ABBR.	DESCRIPTION	DIMENSION
CD	CHANNEL DEPTH	~mm.
CW	CHANNEL WIDTH	~mm.
IW	INSIDE WIDTH	~mm.
OW	OUTSIDE WIDTH	~mm.
TOS	TYPE OF SCREEN	CENTER FLOW

DRIVE DETAILS (GEARED MOTOR)	
MAKE	- SEW / NORD-HEW / EQ.
VOLTAGE	- 3 Ph., --- V AC (+/- 10%)
FREQUENCY	- --- Hz. (+/- 5%)
MOTOR RATING	- --- KW
OUTPUT SPEED	- ~--- RPM
PROTECTION	- ---

DETAILS OF CONTROL PANEL	
MATERIAL	- -
PROTECTION	- -
SIZE & CIRCUITRY	- AS PER JASH STANDARD



ITEM NO.	ITEM NAME
1	SCREEN FRAME
2	CHAIN COMPONENT
3	SPROCKET
4	DRIVE SHAFT
5	DRIVE UNIT
6	BUCKET FRAME
7	SPRAYER PIPE DISCHARGE
8	BOTTOM SUPPORT
9	TOP SUPPORT

THIS REFERENCE DRAWING IS NOT SPECIFIC TO THE REQUIREMENT OF THE CLIENT AND IS SUBMITTED TO GIVE A GENERAL IDEA OF PRODUCT TO BE GIVEN. A DETAILED DRAWING SPECIFIC TO THE CLIENT REQUIREMENT WILL BE SUBMITTED LATER ON UPON RECEIPT OF ORDER. HENCE DESIGN, DIMENSION AND MATERIAL OF CONSTRUCTION IS FOR GENERAL REFERENCE ONLY AND SUBJECT TO CHANGE.

CLIENT :  
 PROJECT :  
 QTY. :

**JASH**  
 JASH ENGINEERING LIMITED  
 INDORE (INDIA)

PROJECTION

Title  
 LAYOUT DRAWING FOR INSTALLATION  
 JASH TRAVELING BAND SCREEN

SCALE	NTS	Dt.:	----
APPD.	----	CHKD.	----
DRWN.	----	DRW.	----

DRG. NO. **JE/SCR/GAC/TB/REF.** REV. **RO**

REV.	DESCRIPTION	REV. BY	Date

REVISION TABLE