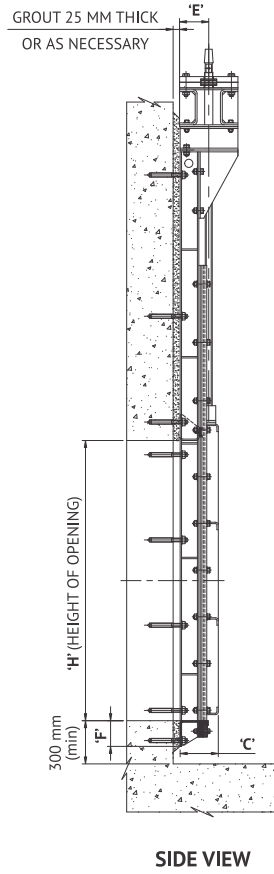
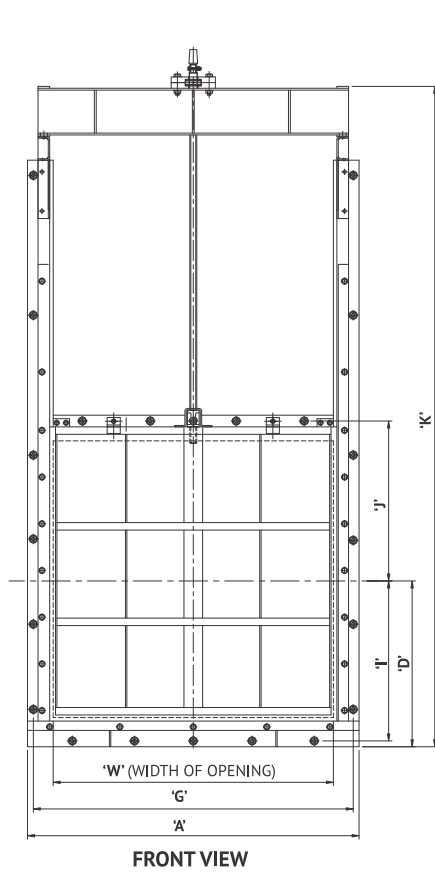


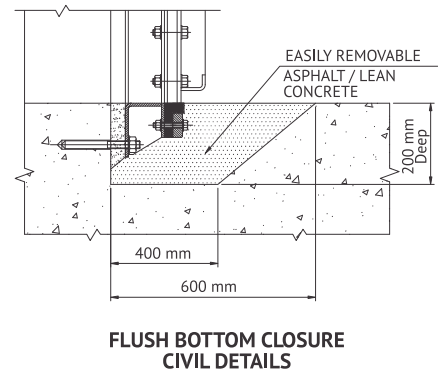
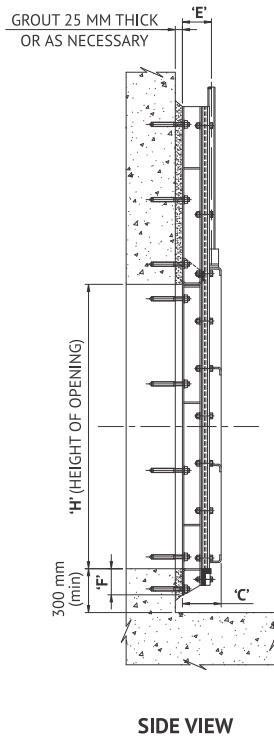
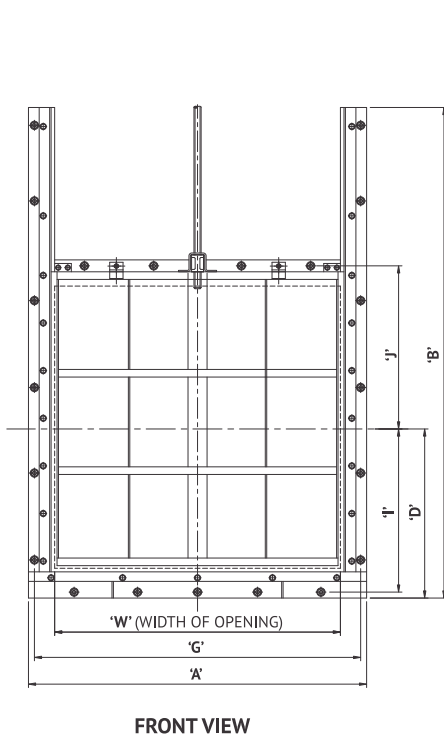
# STAINLESS STEEL SLIDE GATES

## SERIES: A - 113 - DRAWINGS

### SELF CONTAINED CONVENTIONAL CLOSURE



### NON SELF CONTAINED CONVENTIONAL CLOSURE



# SERIES: A - 113 - DATASHEET



W	H	A	B	C	D	E	F	G	I	J	K
500	500	730	970	150	365	130	110	679	339	339	1795
550	550	780	1050	150	390	130	110	730	365	365	1895
600	600	830	1125	160	415	130	110	781	390	390	1995
700	700	930	1300	175	465	130	110	882	440	440	2200
750	750	980	1380	175	490	130	110	933	465	465	2300
800	800	1035	1450	180	515	130	110	984	491	491	2400
900	900	1135	1615	180	570	130	110	1085	542	542	2605
1000	1000	1235	1780	190	620	130	110	1187	593	593	2810
1050	1050	1285	1860	195	650	135	110	1238	619	619	2910
1200	1200	1440	2100	220	720	135	110	1390	695	695	3215
1350	1350	1590	2350	220	795	135	110	1542	771	771	3520
1500	1500	1745	2565	250	870	135	110	1695	847	847	3825
1650	1650	1895	2835	275	950	135	110	1846	923	923	4130
1800	1800	2050	3080	275	1025	135	110	1999	1000	1000	4435
1950	1950	2200	3325	280	1100	140	110	2151	1075	1075	4740
2000	2000	2250	3400	300	1125	140	110	2202	1101	1101	4840
2100	2100	2355	3565	325	1180	140	110	2304	1152	1152	5045

**NOTES:**

- All dimensions are in mm.
- Dimensions of rectangular & other sizes on request.