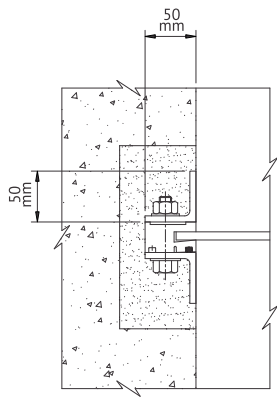
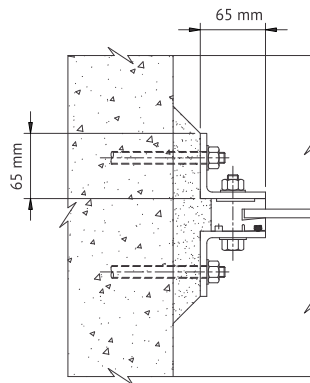


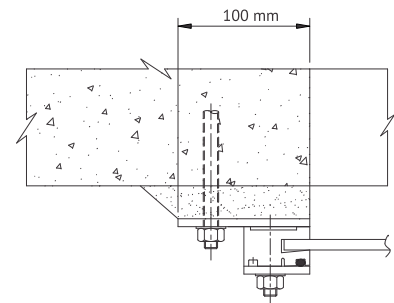
HARSA™ RIGID SEALING SYSTEM (SIDE)



SERIES: A-465

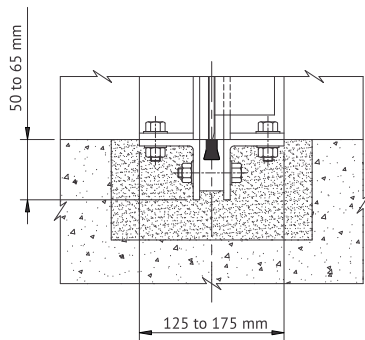


SERIES: A-466

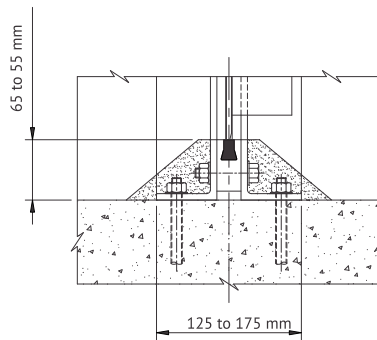


SERIES: A-467

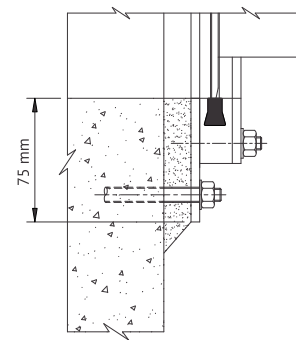
HARSA™ RIGID SEALING SYSTEM (BOTTOM)



SERIES: A-465



SERIES: A-466



SERIES: A-467